

Diamond, Elliptical & Special Louvres Type SEL 50/75/100

Any special shapes such as ellipses, diamond and louvres with cutouts and special shapes are available to order. Pyramid, tubes and curves are also available and any enquiries should be routed to our Head Office for quotation and design drawings.

Specification and Construction:

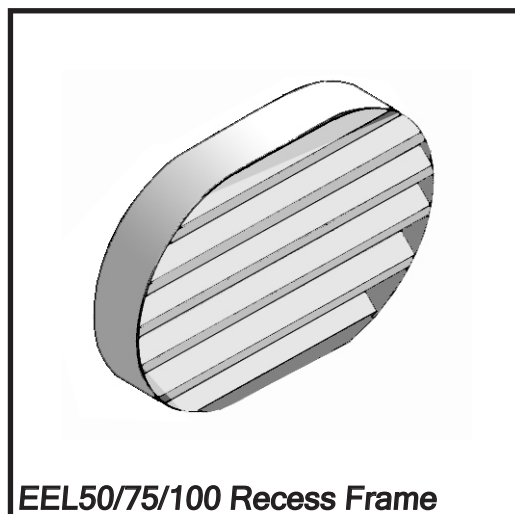
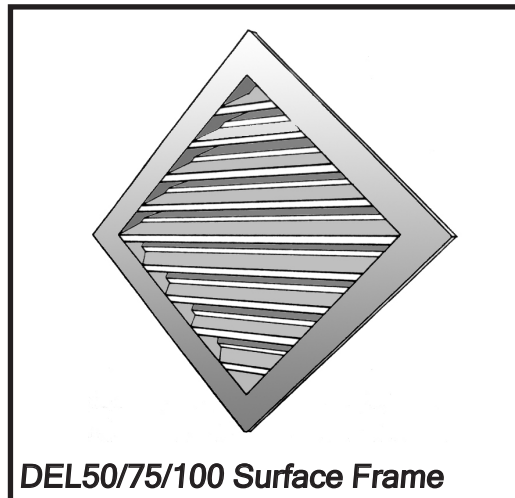
Constructed entirely from high grade Anodising quality HETF fabricated and tig welded for strength of construction and manufactured to suit varying depths and applications with casings of 50mm, 75mm and 100mm.

Sizes:

No standard sizes are manufactured and any panel size can be created by joining individual panels.

Finish:

Full range of epoxy powder coatings suitable for external mounting are available. These are applied as an Aluchrome pre-treatment to give a guaranteed life expectancy of 10 years for semi-gloss applications and 12 years for gloss. A full written guarantee is available on request. Other PVF2 Syntha Pulvin are available at varying costs.

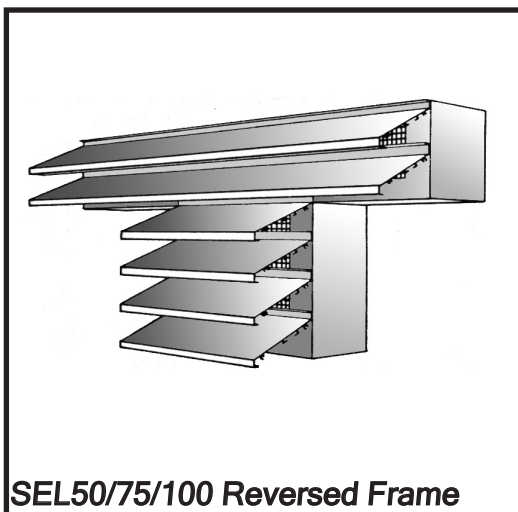


Alternative Design:

A large range special shaped louvres are now available, please refer to our Head Office in Birmingham for further details which are available on C.A.D sheets.

Fixings:

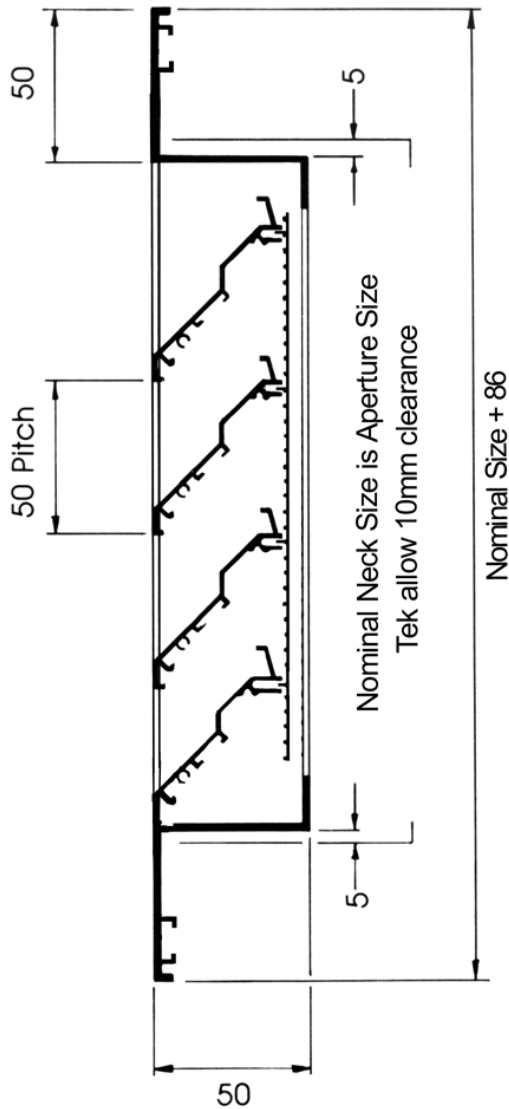
Various fixing methods have been shown on the next page highlighting suggested methods. Other solutions are available, please



SEL 50/75/100

Fixing Methods

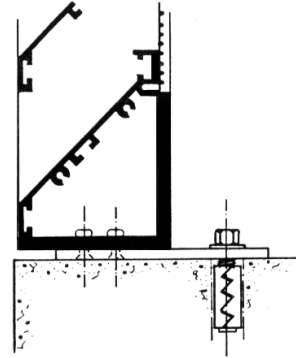
EL50/75/100 Surface Frame



EL50/75/100 Recessed Frame with Strap Type Fixing

Fixing straps supplied prefixed to louvre frame. Position and fix louvre frame to the mounting surface.

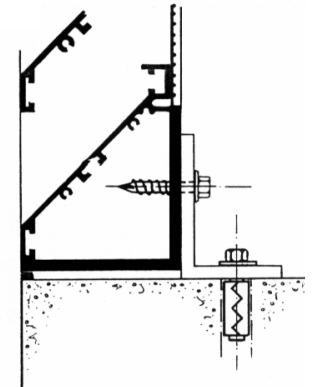
(Packing if required)



EL50/75/100 Dismountable Fixing Recessed Frame

Fix angle cleats to rear of louvre frame and fit cleats to mounting surface.

(Packing if required)



EL50/75/100 Surface Frame with Strap Type Fixing

Fixing straps supplied prefixed to louvre frame. Position and fix louvre frame to the mounting surface.

(Packing if required)

