

Laminar Flow Ceiling System

Modular size panels integrated into a ceiling system suitable for Hospital Operating Theatres and clean rooms.

Specification & Construction:

HE9TF special extruded system frame. Perforated aluminium panels housed in channel section removable from face of ceiling system. Galvanised plenums with top inlet housing opposed blade dampers.

Sizes:

From 1200x600 minimum.

Finish:

Standard RAL powder by interpon D with full alochrome pre-treatment.

Fixing:

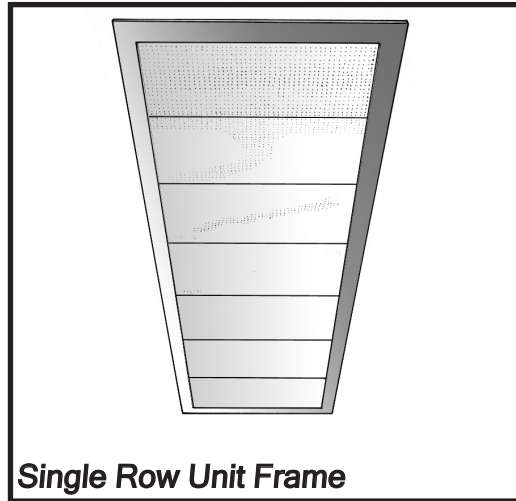
Hanger rods or wire droppers to integral support brackets.

Accessories:

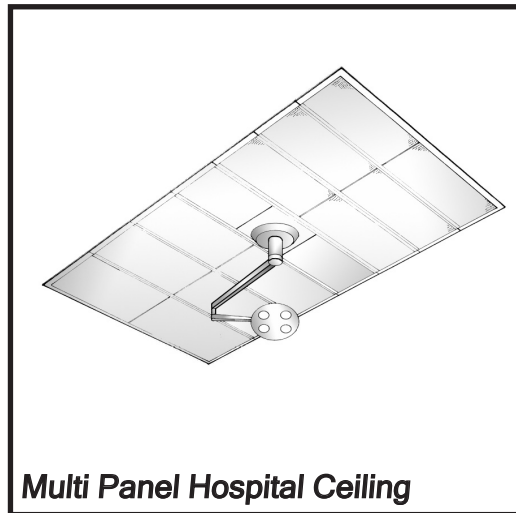
Special cut-outs in panels, for lights, power sources and gases.

Design:

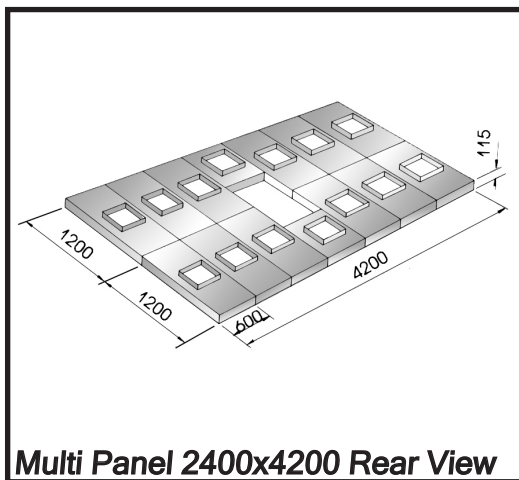
Each system designed by Tek engineers to your requirements. For pressure drops refer to sales office.



Single Row Unit Frame



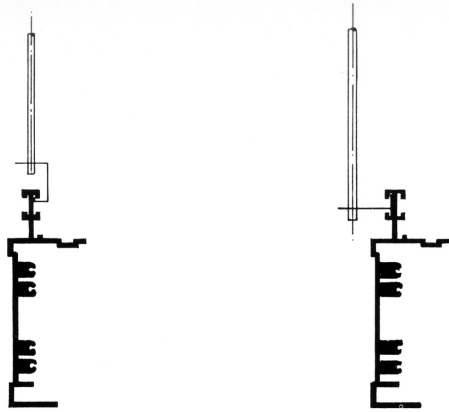
Multi Panel Hospital Ceiling



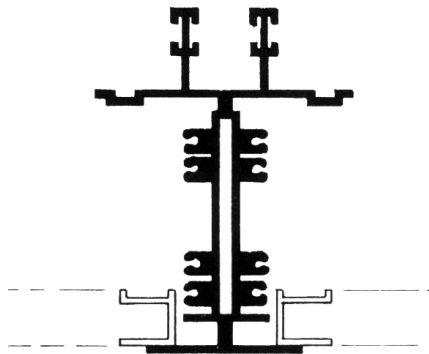
Multi Panel 2400x4200 Rear View

Laminar Flow Ceiling System Technical Specification

Single Recessed Hanger Rod (Sliding Bracket) Laminar Flow Ceiling System



Jointed Surface Mounted (Removable Core)



Multi Panel Part Section Laminar Flow Ceiling System

