

Louvred Screen Type SEL 50/75/100

Screens or continuous louvres are available to mask plant or to provide an architectural feature. These can be manufactured to any length or height and interlocked to provide a continuous appearance with expansion gaps incorporated as necessary. Such additional features as single or double doors, removable sections, blanking plates or insulated panels, dampers and other accessories can be added to the system to provide a bespoke louvre for every application.

Specification and Construction:

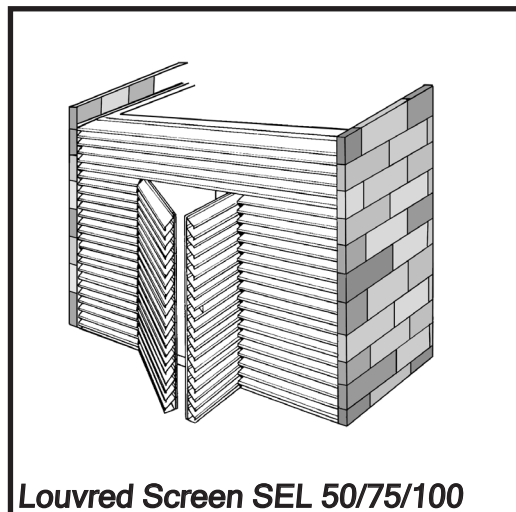
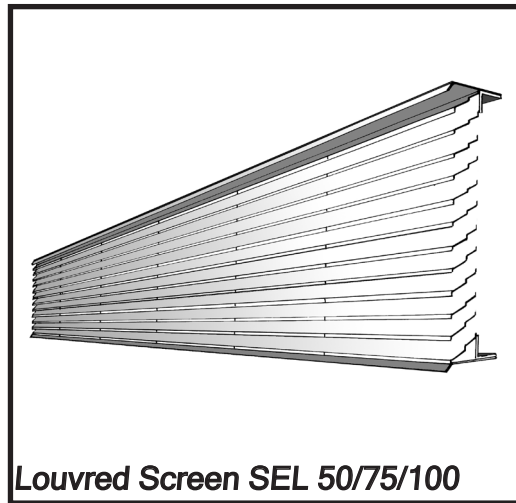
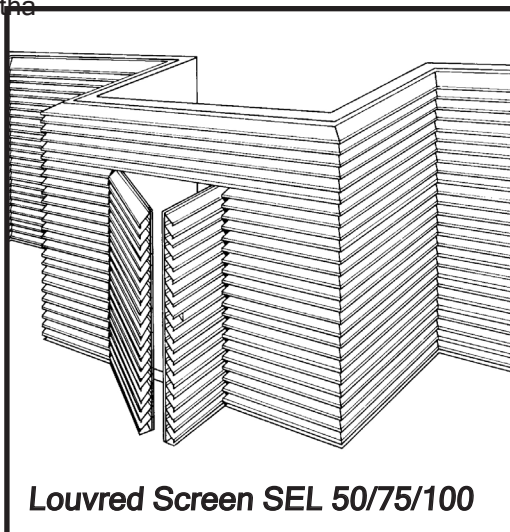
The EL range of screens are normally provided with a full purpose design steelwork support system, incorporating all components except the cast concrete bases by the builder. Our associated fitting company can supply a full site survey, drawing and fitting service if required.

Sizes:

Unit sizes are not limited in total, however a maximum single panel of 5 metres long is available due to limitations on powder coating and extrusions.

Finish:

Standard finish is milled aluminium, however most units are now powder coated in polyester epoxy powder coating to a standard RAL reference. Alternative finishes such as Syn-



Pulvin or Anodising are available on request.

Alternative Designs:

Total flexibility is the rule and any arrangement of screen and support can be provided from a fully factory built system to site assembly and insulation, featuring our Matrix III range of louvres detailed on page 33.

Fixing:

We normally recommend that the screens are site fixed by our experienced team of site personnel, so enabling the customer to have

Louvred Screen Fixing Method

