

# DISPLATEK ADU08

**Classification:**

DISPLATEK ADU08 is a low impulse unit for recessed fitting under seats in theatres, cinemas and auditoriums.

The unit is designed for fitting in a pressure chamber. The built-in resistance ensures equal distribution over the units. The unit can be supplied in other sizes and with other admission pressures.

**Mounting:**

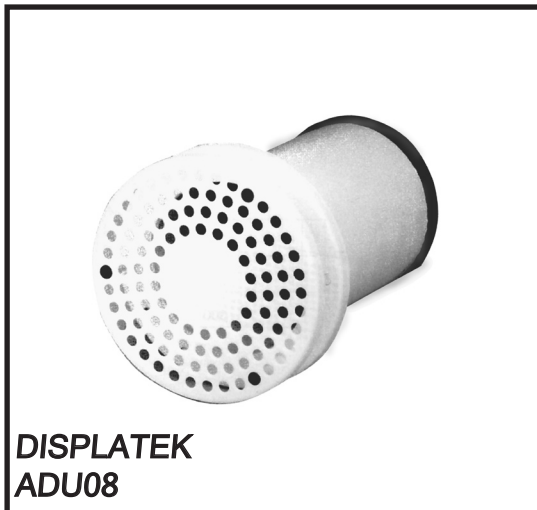
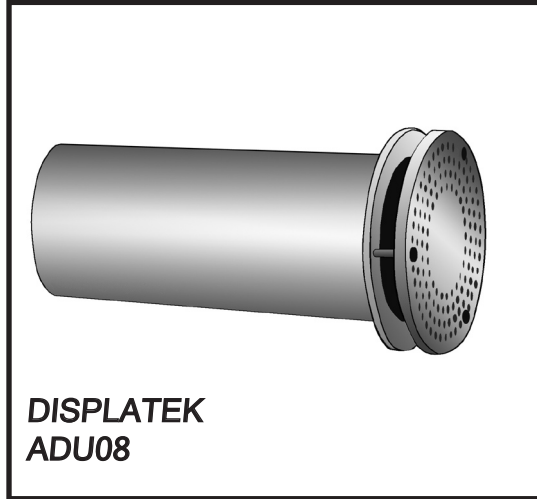
Recessed fitting under seats in risers.

**Accessories:**

The unit can be equipped with a connection piece. A duct fitted single resistance for regulation can be supplied as a separate accessory.

**Finishes:**

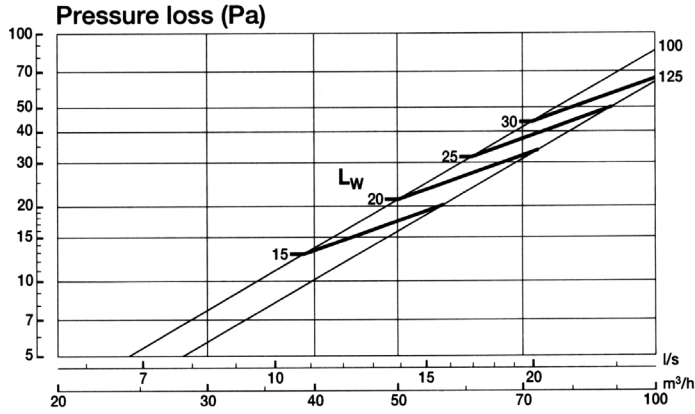
Standard finish is RAL 9010 powder coat, other colours are available on request.



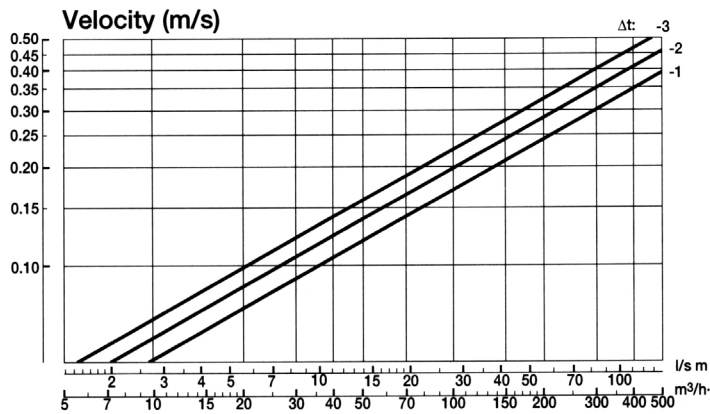
# DISPLATEK ADU08

## Technical Specification

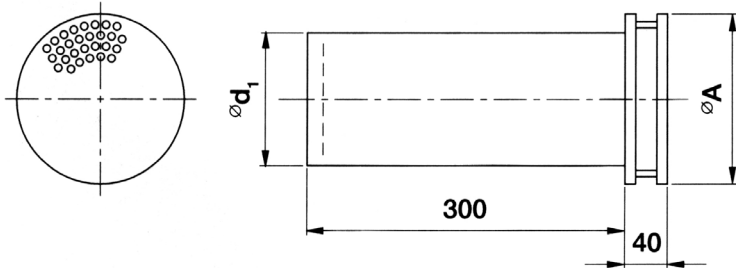
### Pressure, Sound pressure level



### Near Zone



### Dimensions



Dimensions			
Size	A	$\phi d_1$	Weight kg
100	140	100	0,7
125	160	125	0,9