

The KOO multi-jet nozzles are designed to be used, in air conditioning, ventilation and heating systems at a temperature differential up to 12°C. They can be mounted in the wall or the ceiling.

The KOO multi-jet nozzles respond to different functional and architectural requirements thanks to their manually adjustable nozzles in all directions. Thanks to its long throw and flexibility of direction of the air pattern, KOO multi-jet nozzles are suitable for air diffusion in all kinds of different architectures. It provides a high induction air rate level, reducing stratification.

The KOO multi-jet nozzles represent a vanguard in design of air diffusers. Integrating the jet nozzles into the panel, the outcome is a smooth and homogenous surface, reducing the visual impact within the interior architectures.



Multi-Jet Nozzle Unit//Type KOO

Sizes:

Depending on the size of the rectangular panel, the integrated nozzles can be from 80 or 125mm.

Material:

Jet nozzles constructed from aluminium and the panel galvanised steel. The seal of rotation is made from immutable material, classified M1 and F2 as regards fire and smoke safety.

Finishes:

Polyester powder-coated in the following colours:

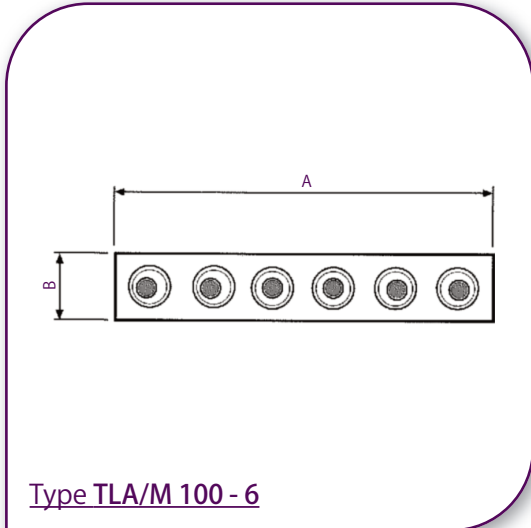
RAL 9006 - Silver,

RAL 9010 - White,

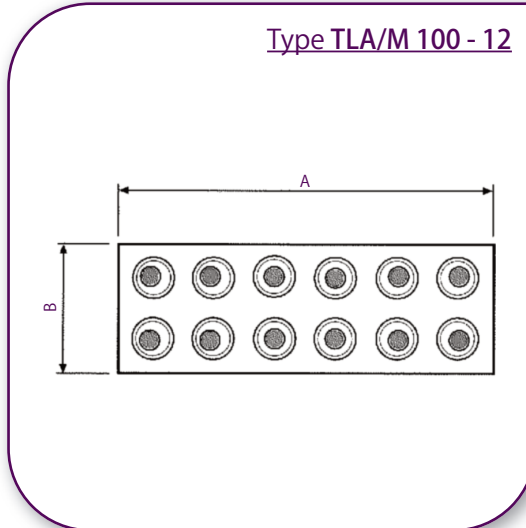
RAL - Other colours at an additional cost.

Fixing Systems:

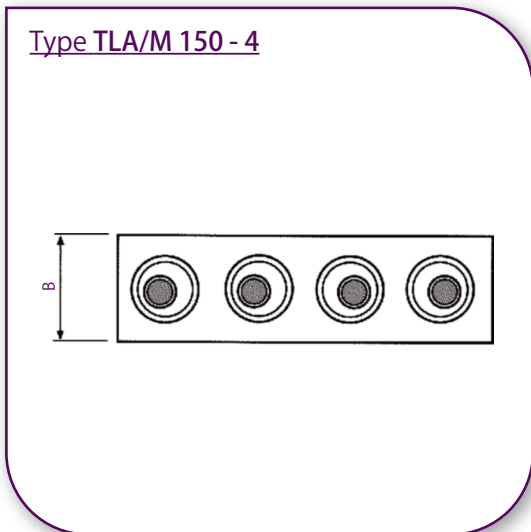
Various fixing methods have been shown on the next page. Other solutions are available, so please contact our office for specific sheets.



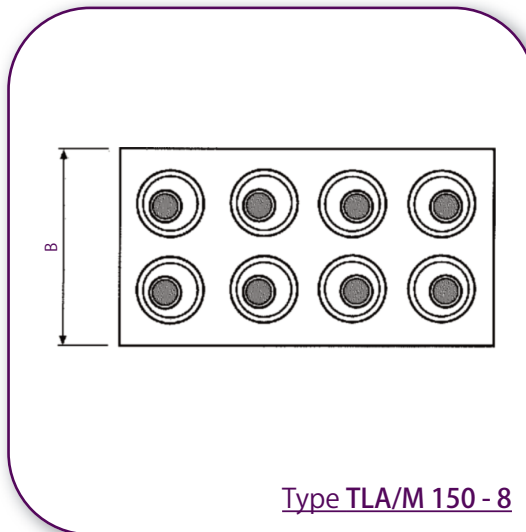
Type TLA/M 100 - 6



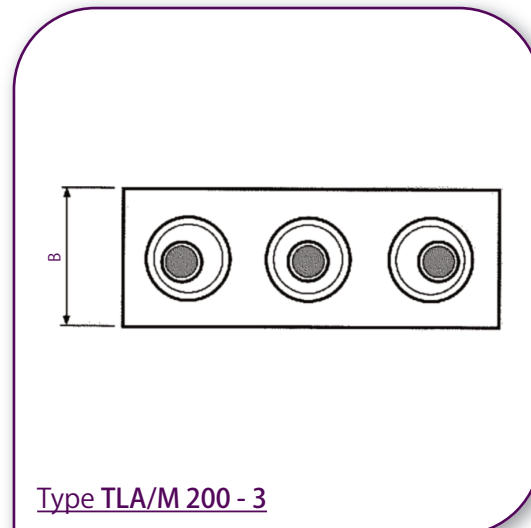
Type TLA/M 100 - 12



Type TLA/M 150 - 4

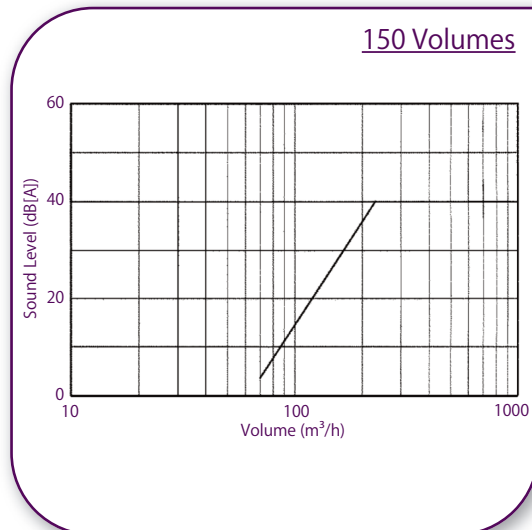
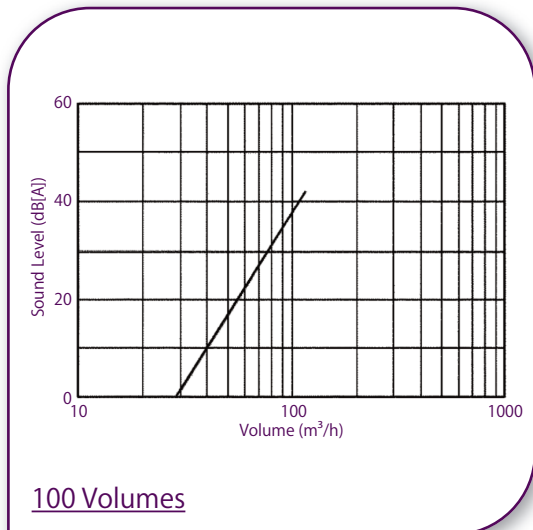
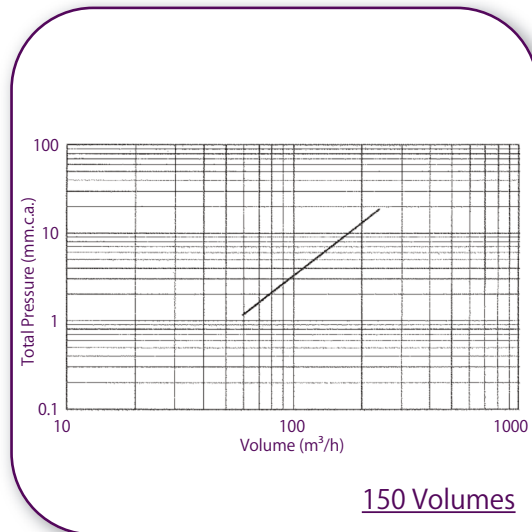
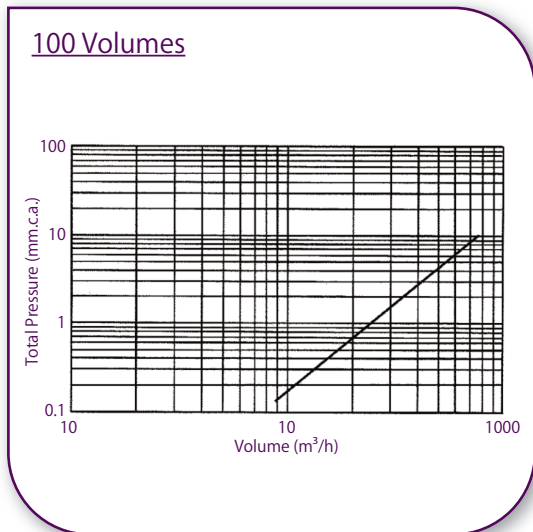
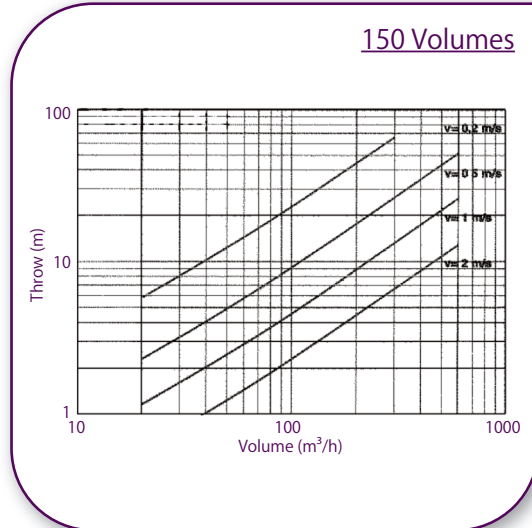
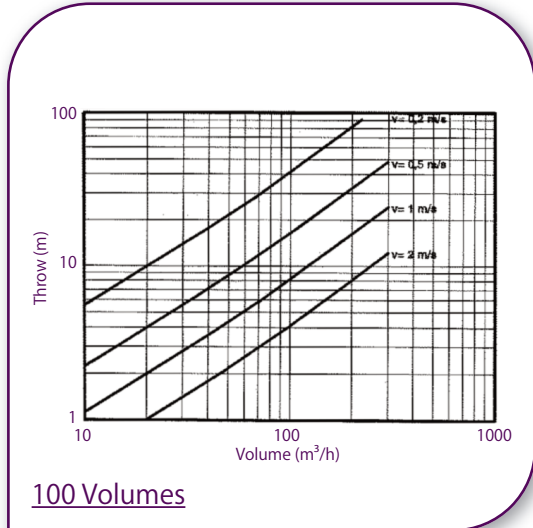


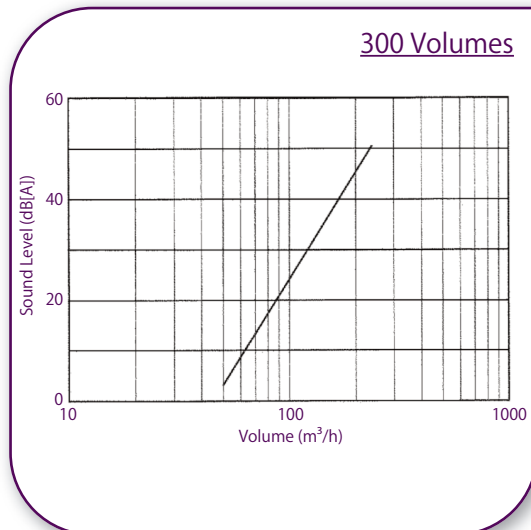
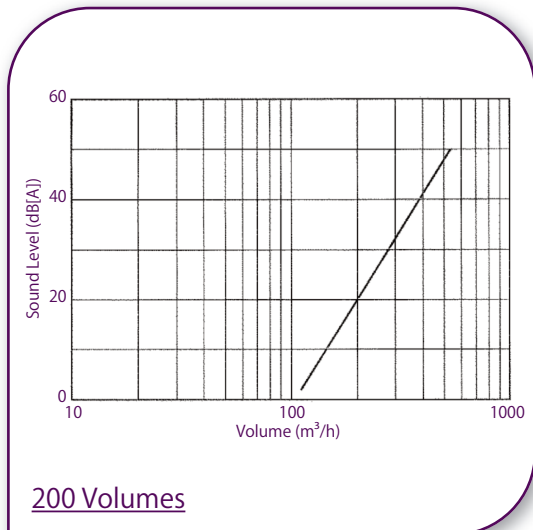
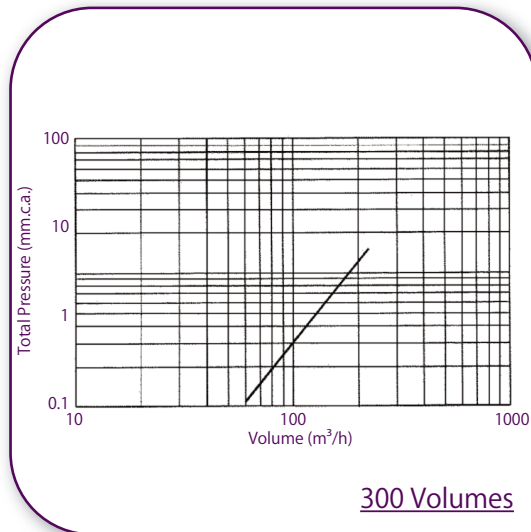
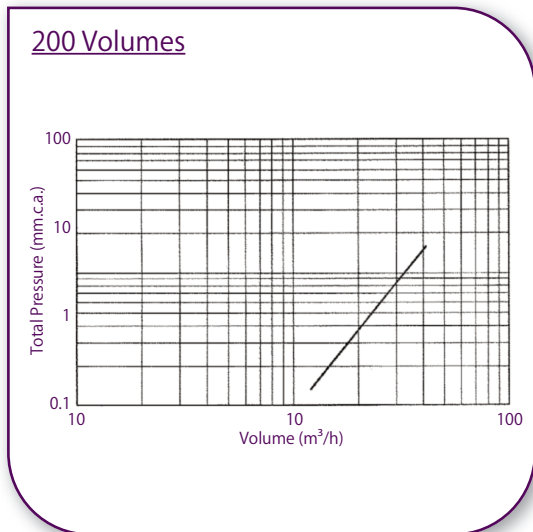
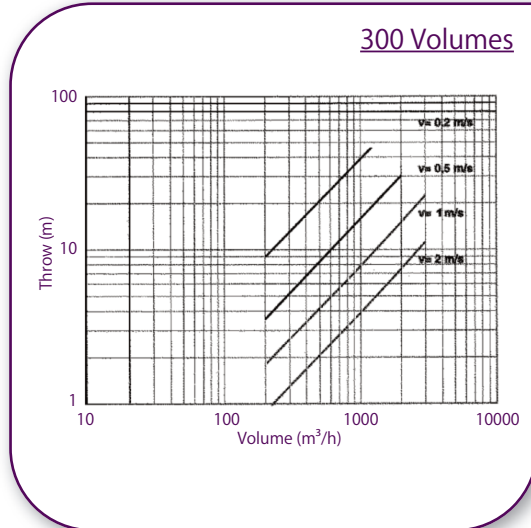
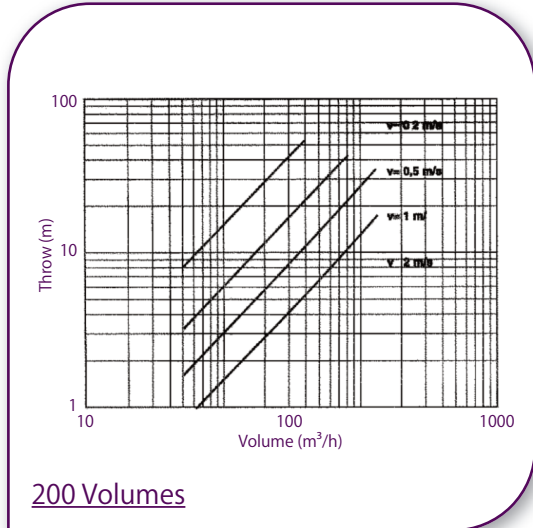
Type TLA/M 150 - 8

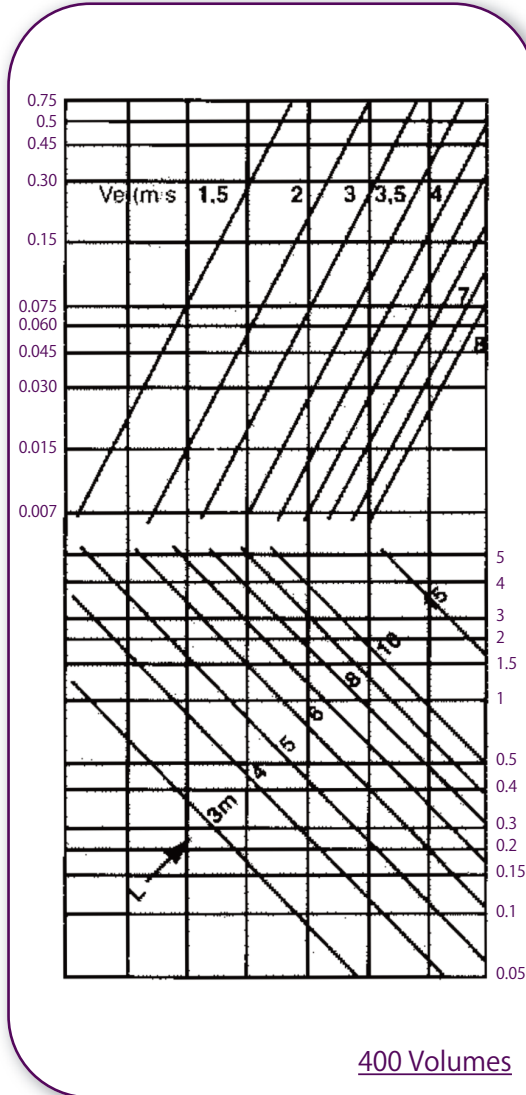
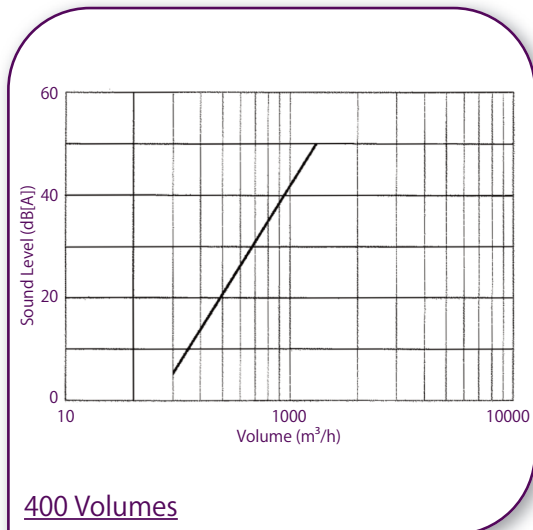
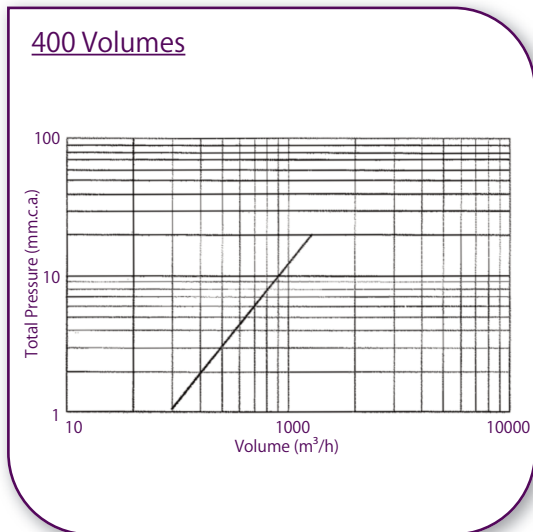
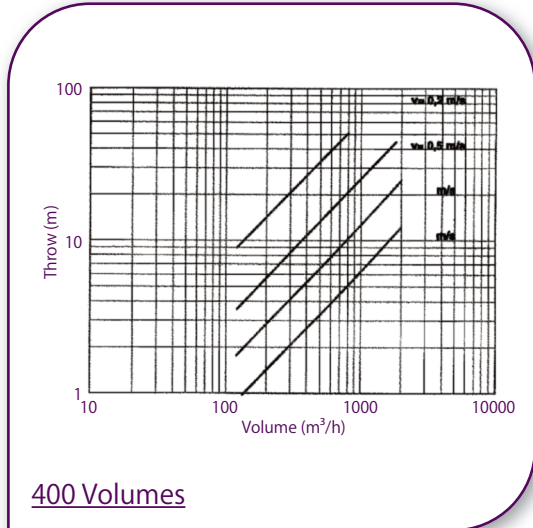


Type TLA/M 200 - 3

Units can be multi-banked to suit varying volumes and throw requirements.

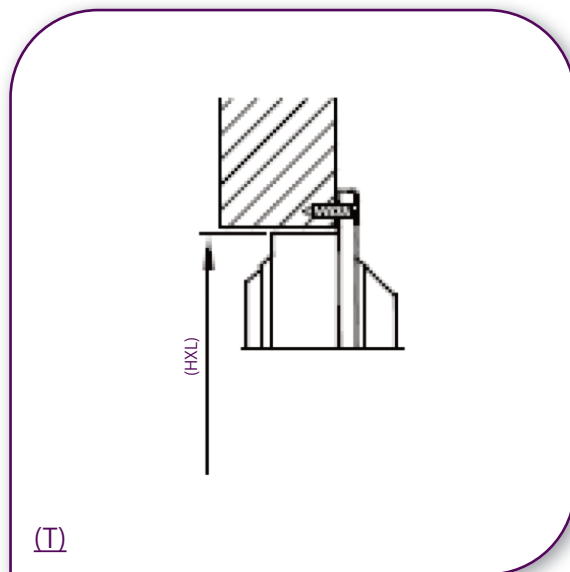
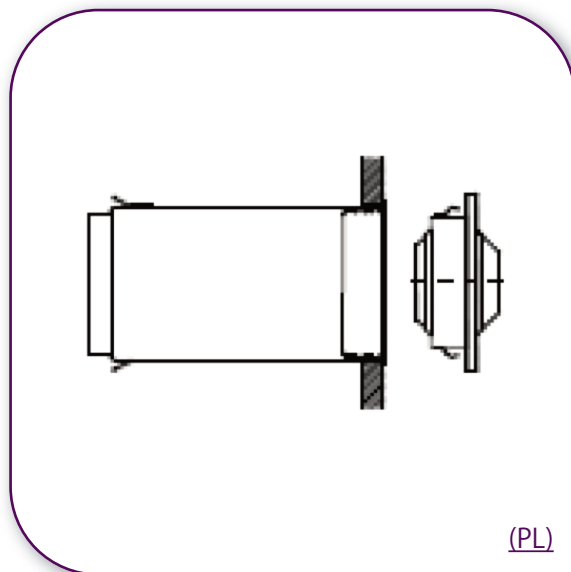
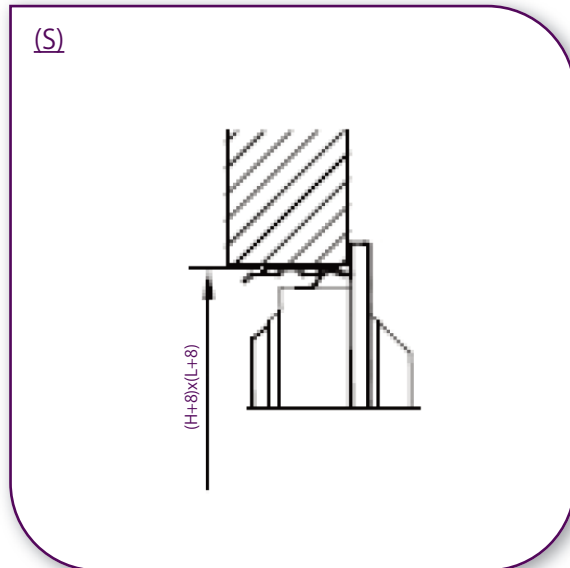
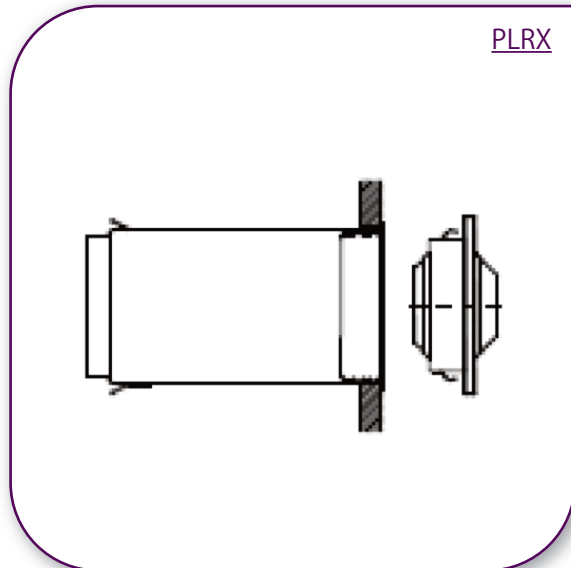






Differential (°C)	0°C	5°C	10°C	15°C	20°C
Throw (x)	1	0.7	0.5	0.4	0.33

(m ³ /h)	t:	100	150	200	300	400
		79.8	45.7	26.5	9.3	4.6
25	Ve	4.1	1.8			
	Al 0.5 m/s	3.2	1.9			
	Al 0.3 m/s	5.4	3.2			
	Pt Ns	1.1 <15	0.2 <15			
50	Ve	8.3	3.6	1.9		
	Al 0.5 m/s	6.1	3.5	2.3		
	Al 0.3 m/s	10.1	5.7	3.8		
	Pt Ns	4.3 17	0.8 <15	0.2 <15		
75	Ve	12.4	5.4	2.9		
	Al 0.5 m/s	8.9	5.0	3.3		
	Al 0.3 m/s	14.7	8.3	5.4		
	Pt Ns	9.6 29	1.8 <15	0.5 <15		
100	Ve	16.5	7.2	3.8		
	Al 0.5 m/s	11.7	6.5	4.2		
	Al 0.3 m/s	19.4	10.8	7.0		
	Pt Ns	17.0 38	3.3 15	0.9 <15		
125	Ve	20.6	9.0	4.8		
	Al 0.5 m/s	14.5	8.0	5.1		
	Al 0.3 m/s	24.1	13.3	8.5		
	Pt Ns	26.6 45	5.1 22	1.4 <15		
150	Ve	24.8	10.8	5.8	2.1	
	Al 0.5 m/s	17.3	9.5	6.1	3.1	
	Al 0.3 m/s	26.6	15.8	10.1	5.1	
	Pt Ns	38.3 50	7.3 27	2.1 <15	0.3 <15	
200	Ve		14.4	7.7	2.8	
	Al 0.5 m/s		12.5	8.0	3.9	
	Al 0.3 m/s		20.8	13.2	6.5	
	Pt Ns		13.0 36	3.7 20	0.5 <15	
300	Ve		21.8	11.5	4.1	2.1
	Al 0.5 m/s		18.5	11.8	5.7	3.6
	Al 0.3 m/s		30.9	19.5	9.4	5.9
	Pt Ns		29.3 46	8.3 32	1.1 <15	0.3 <15
400	Ve			15.4	5.5	2.8
	Al 0.5 m/s			15.5	7.4	4.6
	Al 0.3 m/s			25.8	12.4	7.7
	Pt Ns			14.7 41	1.9 <15	0.5 <15
500	Ve			19.2	6.9	3.5
	Al 0.5 m/s			19.3	9.2	5.7
	Al 0.3 m/s			32.0	15.3	9.4
	Pt Ns			23.0 48	3.0 21	0.8 <15
600	Ve				8.3	4.2
	Al 0.5 m/s				11.0	6.7
	Al 0.3 m/s				18.2	11.2
	Pt Ns				4.3 26	1.1 <15
700	Ve				9.7	4.9
	Al 0.5 m/s				12.7	7.8
	Al 0.3 m/s				21.1	12.9
	Pt Ns				5.8 31	1.5 <15
800	Ve				11.1	5.6
	Al 0.5 m/s				14.5	8.8
	Al 0.3 m/s				24.0	14.7
	Pt Ns				7.6 35	2.0 17
1000	Ve				13.8	7.0
	Al 0.5 m/s				18.0	10.9
	Al 0.3 m/s				29.8	18.2
	Pt Ns				11.9 12	3.1 24
1500	Ve					10.5
	Al 0.5 m/s					16.2
	Al 0.3 m/s					26.9
	Pt Ns					6.9 36
2000	Ve					14.0
	Al 0.5 m/s					21.5
	Al 0.3 m/s					35.6
	Pt Ns					12.2 15
2500	Ve					17.8
	Al 0.5 m/s					27.5
	Al 0.3 m/s					50.7
	Pt Ns					20 53
3000	Ve					21.4
	Al 0.5 m/s					34.1
	Al 0.3 m/s					67.8
	Pt Ns					26.5 57



Additional Accessories:

PLRX Plenum box with an upper circular connection, constructed from galvanised steel.

/L/ - Lateral circular connection.

-R - Flow damper in the spigot.

/AIS/ - Thermo acoustically insulated by foam with a coefficient of thermal conductivity of 0.04w/mK. This foam complies with the fire specifications:

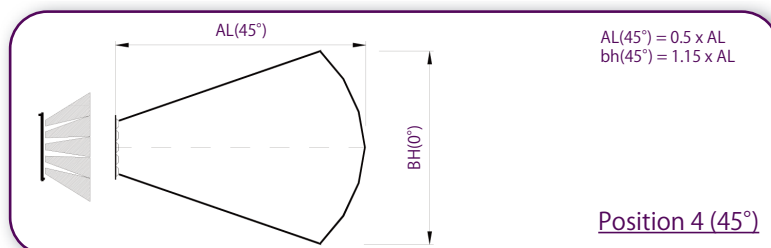
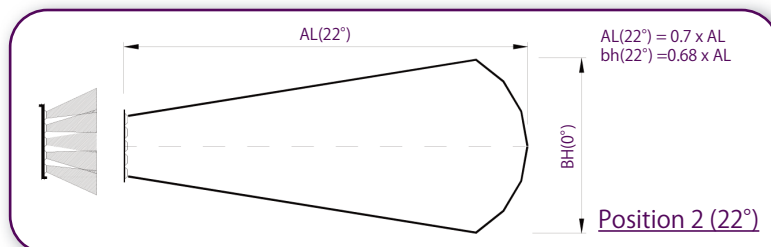
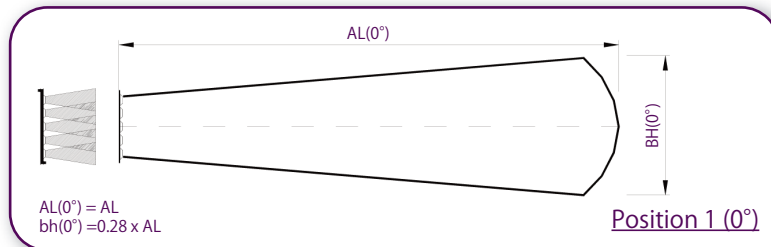
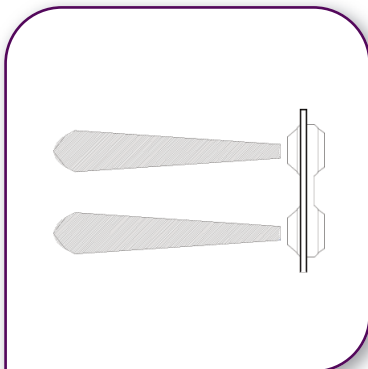
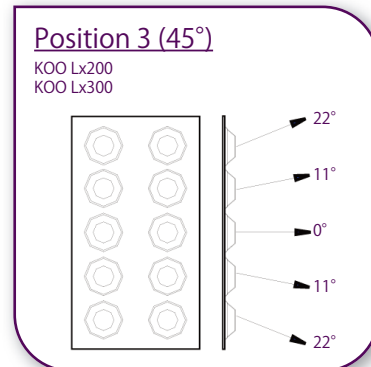
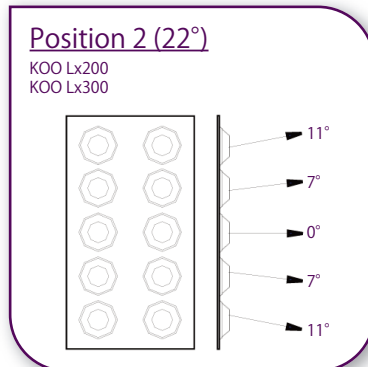
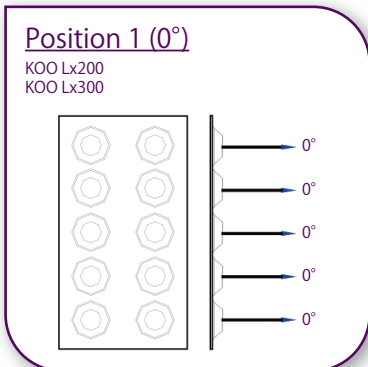
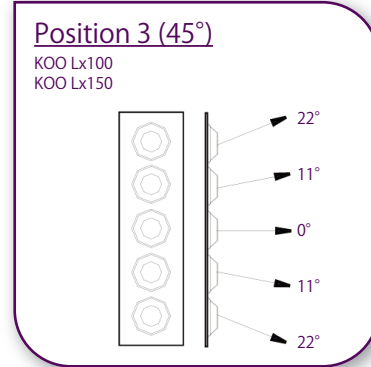
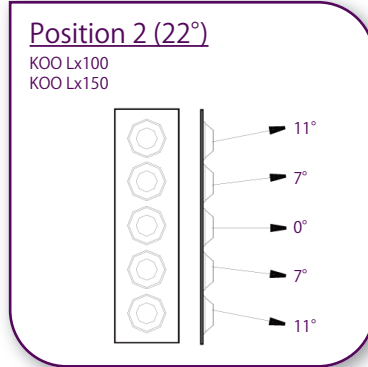
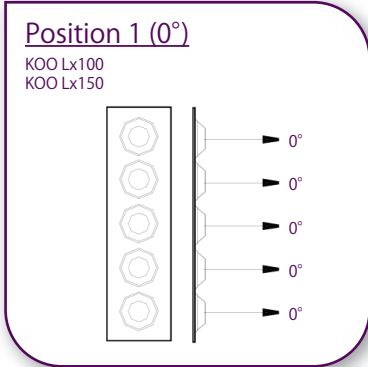
UNE 23-727 M2
NFP 92-501 M2
DIN 4102 M2

Fixing Systems:

(S) - Invisible fixing by means of pressure clips. It requires CM mounting frame.

(PL) - Invisible fixing by means of pressure clips. It requires PLRX plenum box.

(T) - Visible screws.



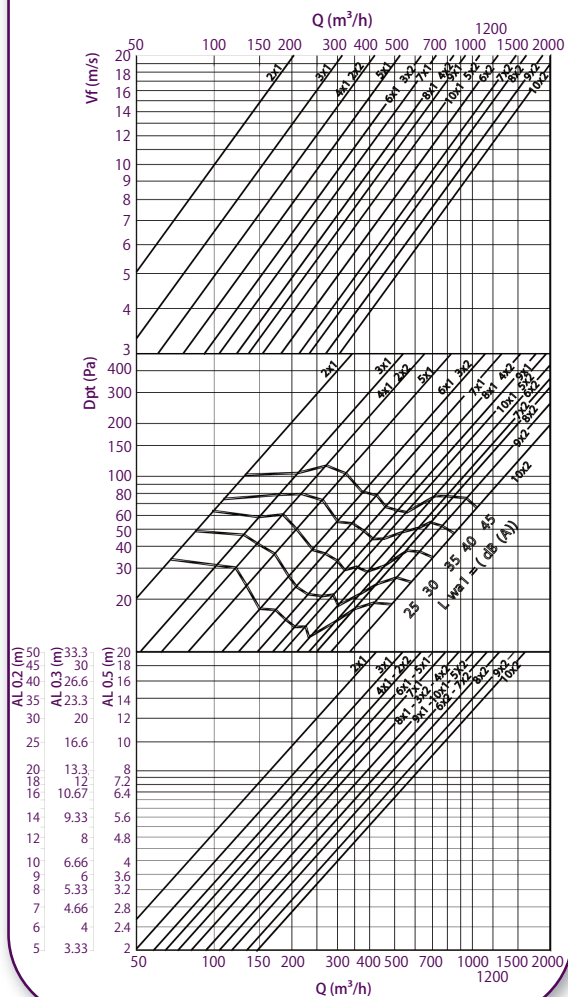
Recommended Velocity

	Vfmin m/s	Vfmax m/s
Lx100	2.5	10.7
Lx200	2.5	9.8

Free Face Area m²

LxH		Afree m ²	Qmin m ³ /h	Qmax m ³ /h
200x100	2x1	0.0028	25	140
300x100	3x1	0.0043	39	210
400x100	4x1	0.0057	51	270
500x100	5x1	0.0072	65	330
600x100	6x1	0.0086	77	375
700x100	7x1	0.01	90	420
800x100	8x1	0.0114	103	465
900x100	9x1	0.0129	116	510
1000x100	10x1	0.0144	130	555
200x200	2x2	0.0057	51	265
300x200	3x2	0.0086	77	400
400x200	4x2	0.0114	103	555
500x200	5x2	0.0144	130	640
600x200	6x2	0.0172	155	720
700x200	7x2	0.02	180	795
800x200	8x2	0.022	198	870
900x200	9x2	0.0258	232	950
1000x200	10x2	0.0288	259	1025

Free Velocity, Pressure Loss and Sound Power Level, Throw



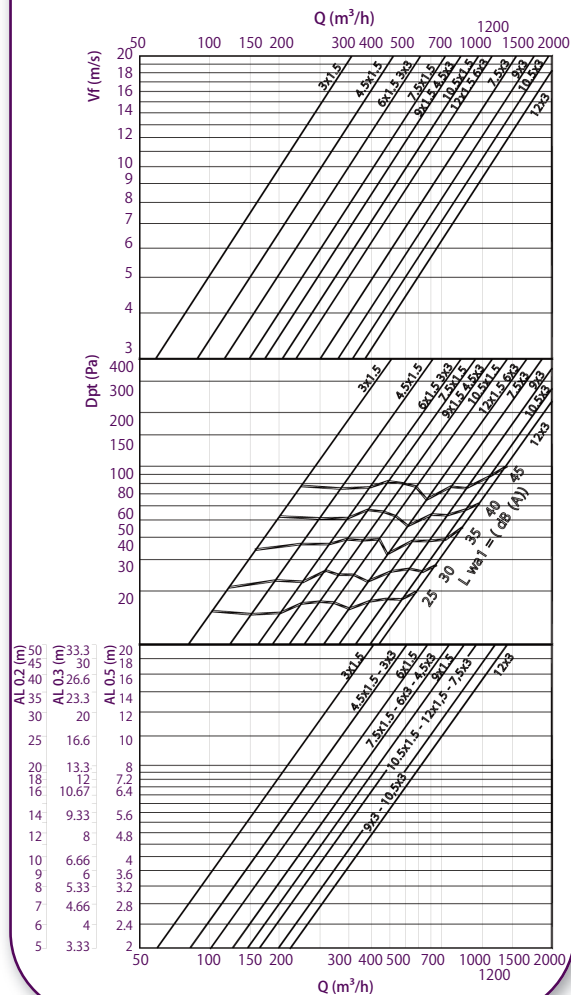
Recommended Velocity

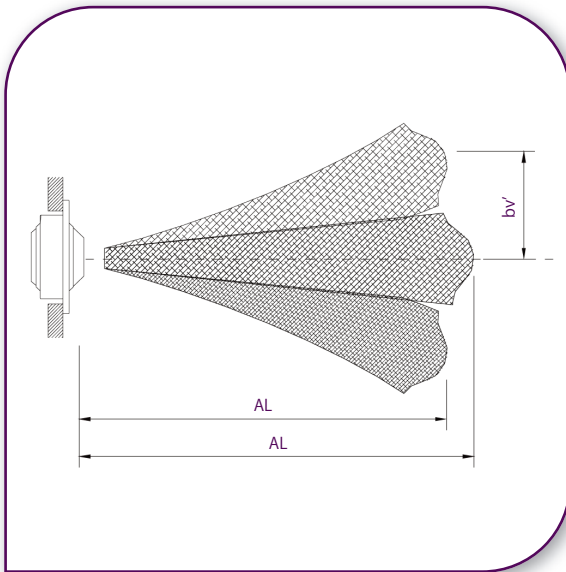
	Vfmin m/s	Vfmax m/s
Lx150	2.5	10.6
Lx300	2.5	11

Free Face Area m²

LxH		Afree m ²	Qmin m ³ /h	Qmax m ³ /h
300x150	3x1.5	0.0056	50	250
450x150	4.5x1.5	0.0084	76	370
600x150	6x1.5	0.0112	101	495
750x150	7.5x1.5	0.014	126	590
900x150	9x1.5	0.0168	151	680
1050x150	10.5x1.5	0.0196	176	770
1200x150	12x1.5	0.0224	202	860
300x300	3x3	0.0112	101	435
450x300	4.5x3	0.0168	151	650
600x300	6x3	0.0224	202	870
750x300	7.5x3	0.028	252	1105
900x300	9x3	0.0336	302	1340
1050x300	10.5x3	0.0392	353	1575
1200x300	12x3	0.0448	403	1810

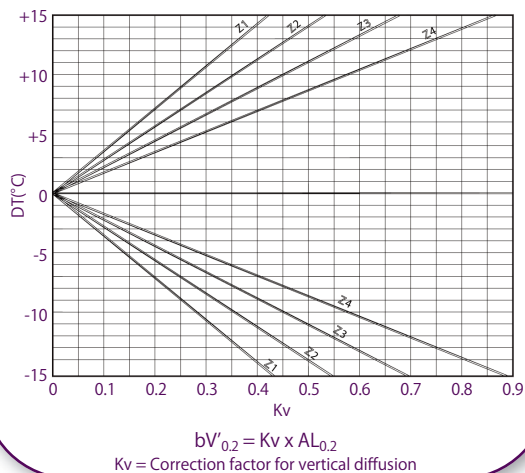
Free Velocity, Pressure Loss and Sound Power Level, Throw



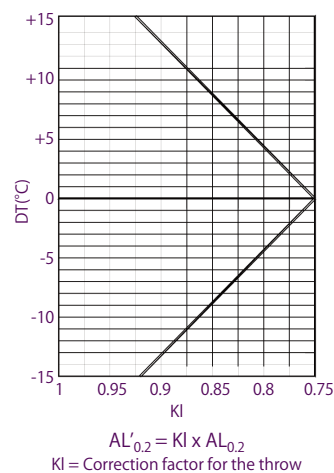


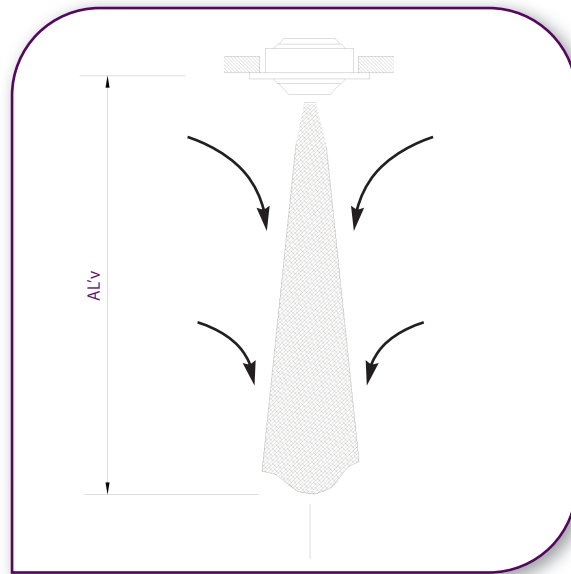
Z1	Z2	Z3	Z4
200x100	500x100	800x100	700x200
300x100	600x100	900x100	800x200
400x100	700x100	1000x100	900x200
200x200	300x200	400x200	1000x200
300x150	450x150	500x200	1050x150
	600x150	600x200	1200x150
	300x300	750x150	600x300
		900x150	750x300
		450x300	900x300
			1050x300
			1200x300

Correction Factor for Vertical Diffusion (bv) for DT(-)



Correction Factor for Throw (L0.2) DT(-)





Correction Factor for Vertical Throw
(ALv) DT

