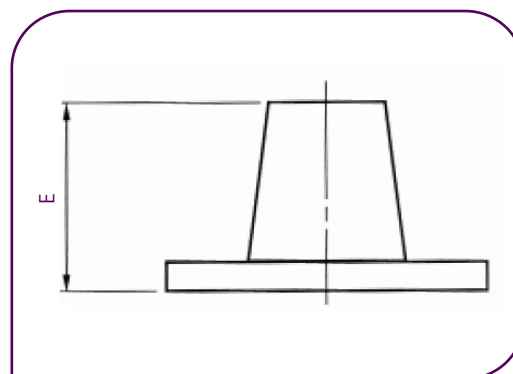
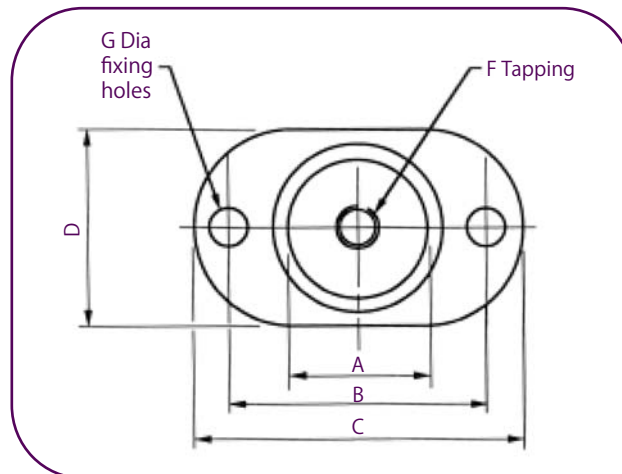


Neoprene Mounts// Type NM

Type NM are neoprene-in-shear mounts moulded from high grade synthetic neoprene with added anti-ozone and anti-oxidant agents.

A threaded insert is embedded in the top of the mount and a pre-drilled steel load plate in the bottom of the mount.



<i>Dimensional Data</i> mm								<i>Load Range</i> Kg	<i>Nom Defl</i> mm
Mount Type	A	B	C	D	E	F	G		
NM/1	22	50	61	38	18	6	4	2-18	3
NM/2	28	60	74	41	32	8	6	9-12	4
NM/3	41	70	97	59	38	12	11	18-360	5
NM/4	30	60	74	41	37	8	6	9-72	9
NM/5	41	70	98	60	59	12	11	18-360	10