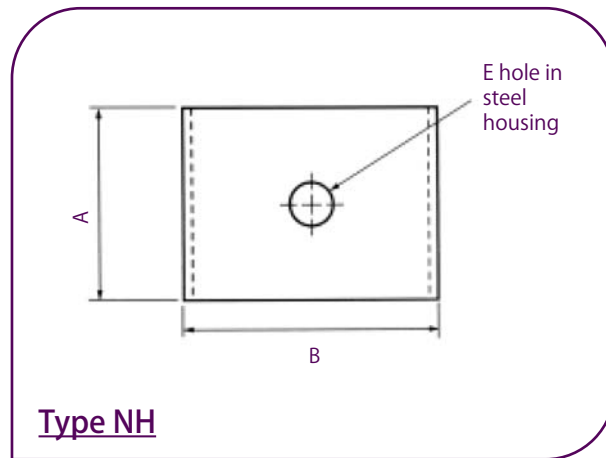
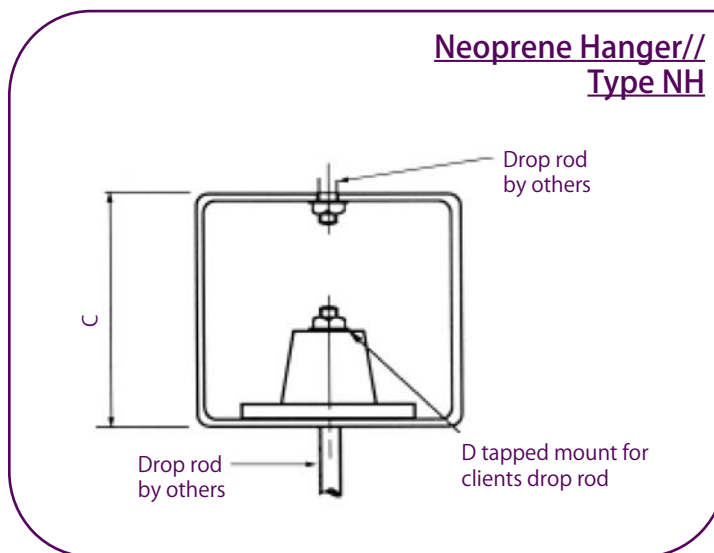


## Neoprene Hangers// Type OM



**Type NH**



**Neoprene Hanger//  
Type NH**

Type NH neoprene hangers comprise a rubber-in-shear mount located in a steel housing. The mount is moulded from high grade synthetic rubber with added anti-ozone and anti-oxidant agents.

A threaded insert is embedded in the top of the rubber. A load plate (suffix 'L') may be fitted into the steel housing to hold the suspended load to a fixed position during installation.

<i>Dimensional Data</i> mm						<i>Weight</i> <i>Range</i> Kg	<i>Nom</i> <i>Defl</i> mm
Mount Type	A	B	C	D	E		
NH/1	80	70	70	8	12	9-72	4
NH/2	100	90	90	12	14	18-360	5
NH/3	80	70	70	8	12	9-72	9
NH/4	100	90	90	12	14	18-360	10