

# Circular Louvre

## Type CEL 50/75/100

TEK Circular Louvres start at 150mm diameter with the largest at present being produced as 6 metres. They can be fitted with a variety of frame styles to suit curtain walling, cladding, brick work or concrete facias. Elliptical Louvres are also available.

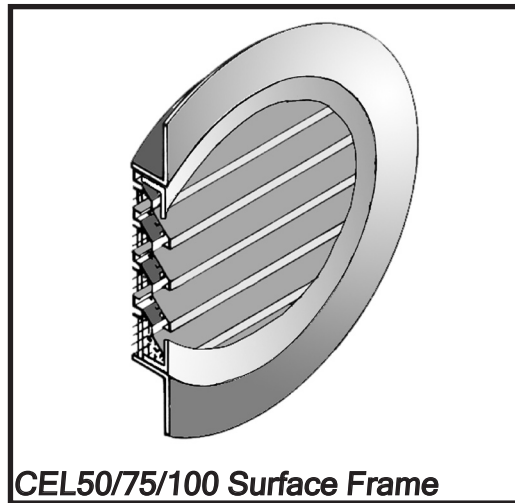
Three depths of louvre: 50mm, 75mm and 100mm can be supplied dependent on the diameter of the unit.

### Specification and Construction:

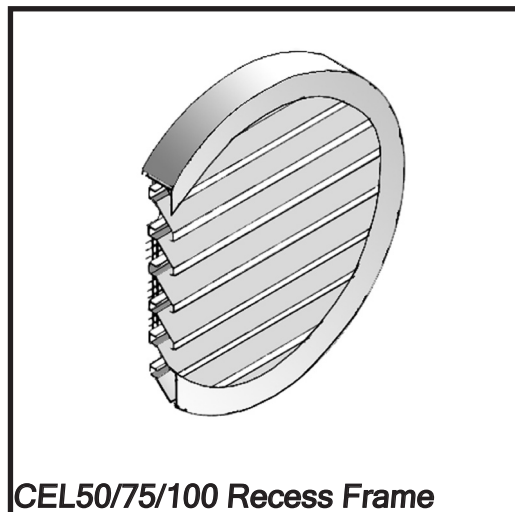
Manufactured from high grade Anodising quality HE9TF blades and section rolled tig welded frames for strength of construction sizes. Any diameter is available to order and dependent on size will be manufactured in either one section up to 1800 diameter, two sections up to three metres diameter and above this size in multiple sections.

### Finish:

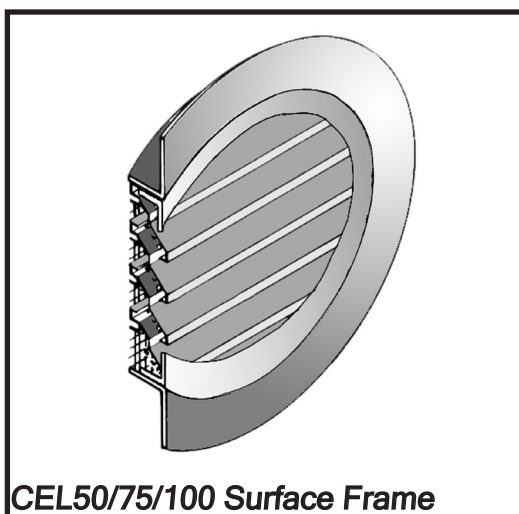
Full range of epoxy powder coatings suitable for external mounting is available. These are applied as an Aluchrome pre-treatment to give a guaranteed life expectancy of 10 years for semi-gloss applications and 12 years for gloss. A full written guarantee is available on request. Other PVF2 Syntha Pulvin and Anodised treatments are also available at varying costs.



CEL50/75/100 Surface Frame



CEL50/75/100 Recess Frame



CEL50/75/100 Surface Frame

### Alternative Design:

Three styles of frame have been shown, however, others are available to suit unusual conditions including glazing bars and hidden fixings.

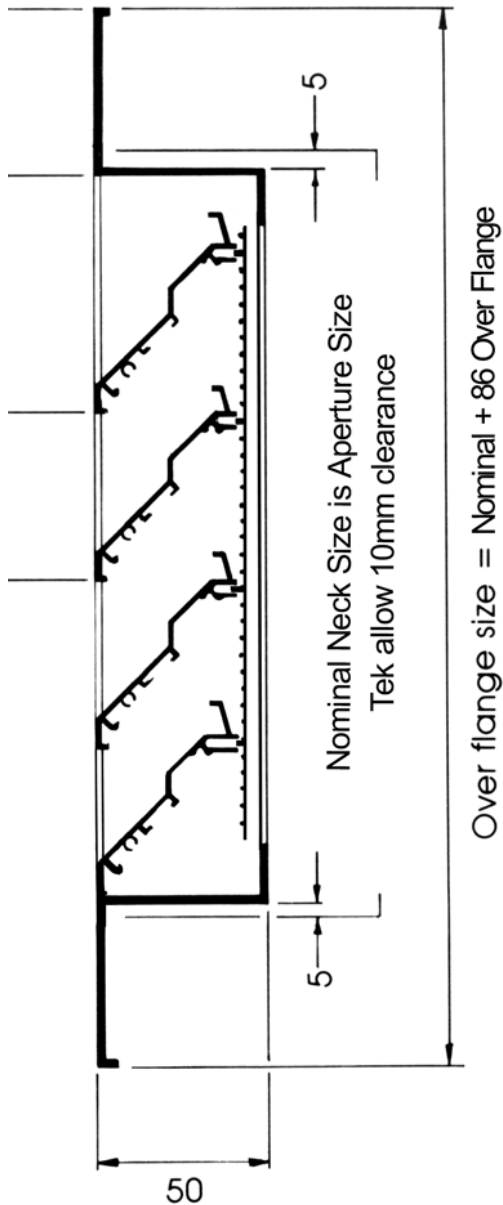
### Fixings:

Various fixing methods have been shown on the next page, highlighting suggested methods. Other solutions are available, so please contact our office for specific sheets.

# Circular Louvre

## Type CEL 50/75/100 Fixing Methods

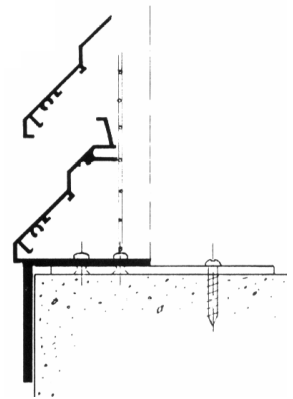
### CEL50/75/100 Surface Frame Typical Installation



#### CEL50/75/100 Surface frame with strap type fixing

Fixing straps supplied prefixed to louvre frame. Position and fix louvre frame to the mounting surface.

*(Packing if required)*



#### CEL50/75/100 De-mountable Fixing Recessed Frame

Fix angle cleats to rear of louvre frame and fit cleats to mounting surface

