

Architectural System Louvre For Free Standing Screens Type AL75

AL75 is an Architectural Louvre particularly suited to free standing screens where air handling capabilities are not a necessity.

Provides good screening for plant, incorporates the Matrix III rear framing system for easy fitting on to horizontal or vertical steel-work rails.

Specification and Construction:

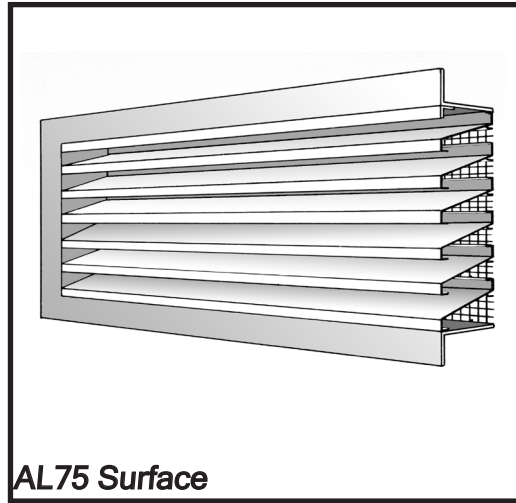
Manufactured from HE9TF Aluminium Extrusions, these units are fitted with all necessary water turnbacks and drainage channels into a sealed casing with birdmesh or insect mesh to the rear.

Sizes:

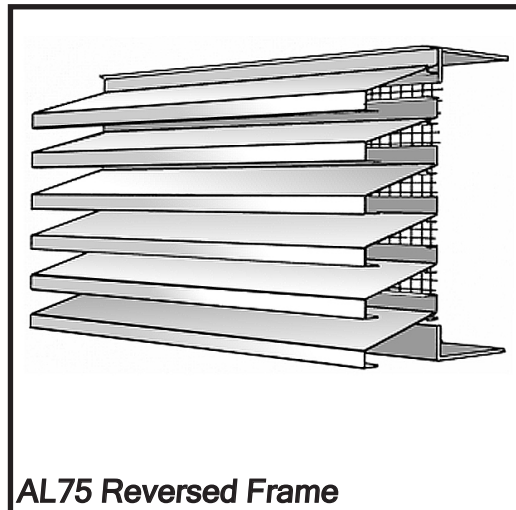
No standard sizes are manufactured and any panel size can be created by joining individual panels.

Finish:

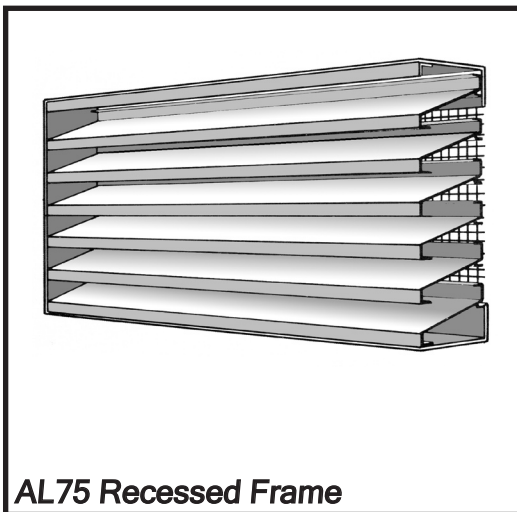
Full range of Epoxy Powder Coatings suitable for external mounting are available. These are applied as a Aluchrome pre-treatment to give a guaranteed life expectancy of 10 years for semi-gloss applications and 12 years for gloss. A full written guarantee is available on request. Other PVF2 Syntha Pulvin and anodised treatments are also available at varying costs.



AL75 Surface



AL75 Reversed Frame



AL75 Recessed Frame

Alternative Designs:

Three styles of frame design have been shown but various other frames are available to suit unusual conditions and include channels for Alfes Sealant Strips and Silicon Beading.

Fixing:

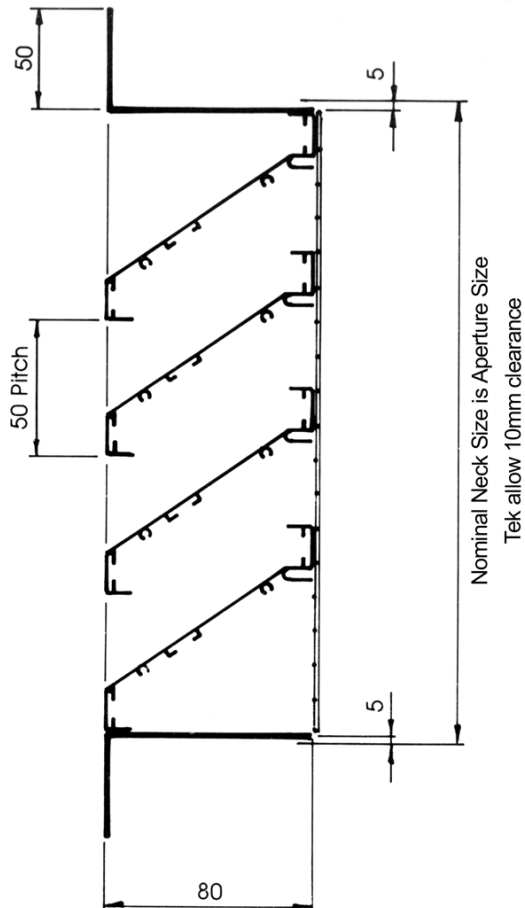
Various fixing methods have been shown on the next page, other solutions are available, so please contact our Head Office for specification sheets.

For pressure drops, refer to Sales Office.

AL75

Fixing Methods

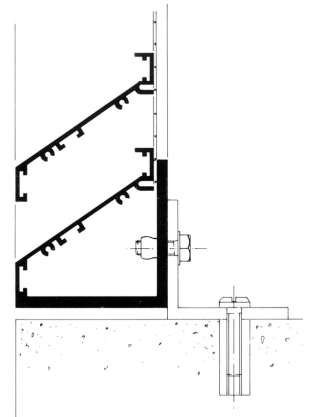
AL75 Surface Frame Typical Installation



AL75 Demountable Fixing Recess Frame

Fix angle cleats to rear of louvre frame and fix cleats to mounting surface

(Packing if required)



AL75 Recessed Frame with Fixing Strap

Fixing straps supplied pre-fixed to the louvre frame. Position and fix louvre frame to the mounting surface

(Packing if required)

